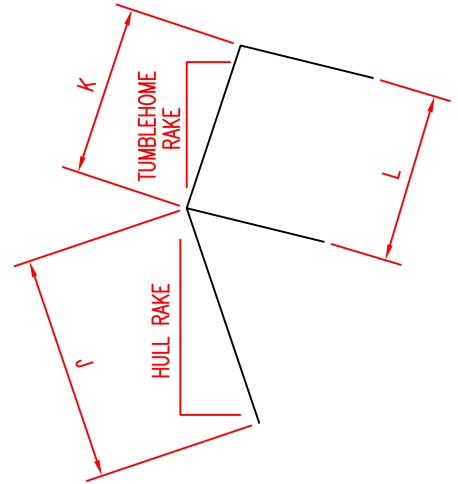
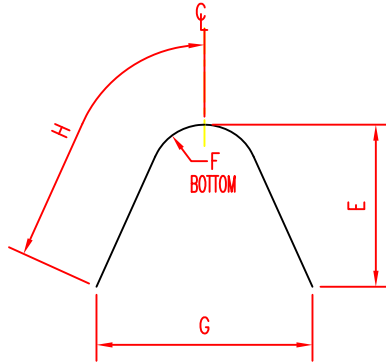
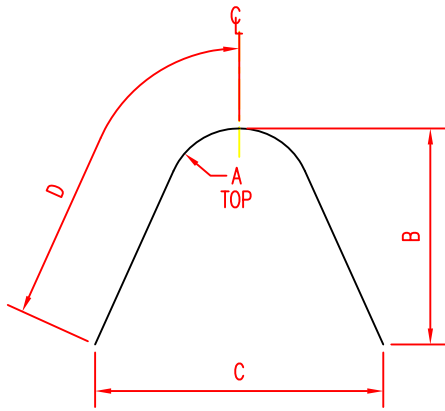
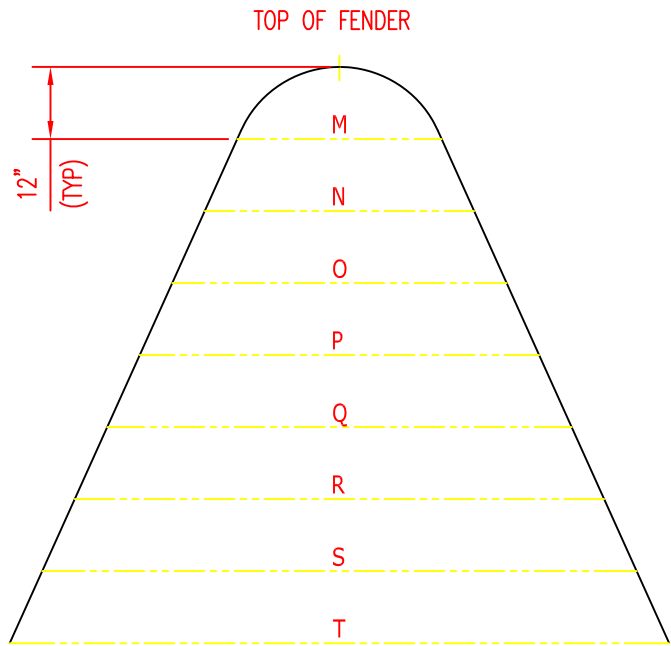


MODEL BOW : BOW DETAIL  
TOP DETAIL



DIMENSIONS:

- A. \_\_\_\_\_ M. \_\_\_\_\_
- B. \_\_\_\_\_ N. \_\_\_\_\_
- C. \_\_\_\_\_ O. \_\_\_\_\_
- D. \_\_\_\_\_ P. \_\_\_\_\_
- E. \_\_\_\_\_ Q. \_\_\_\_\_
- F. \_\_\_\_\_ R. \_\_\_\_\_
- G. \_\_\_\_\_ S. \_\_\_\_\_
- H. \_\_\_\_\_ T. \_\_\_\_\_
- J. \_\_\_\_\_
- K. \_\_\_\_\_
- L. \_\_\_\_\_



TUMBLEHOME RAKE: \_\_\_\_\_

TOP ATTACHMENT: \_\_\_\_\_

HULL RAKE: \_\_\_\_\_

BOTTOM ATTACHMENT: \_\_\_\_\_

DECKFALL: \_\_\_\_\_

END ATTACHMENT: \_\_\_\_\_

NOTES:

CUSTOMER: \_\_\_\_\_

PHONE NUMBER: \_\_\_\_\_

PROJECT NAME: \_\_\_\_\_

FAX NUMBER: \_\_\_\_\_

CONTACT: \_\_\_\_\_

DELIVERY TIME: \_\_\_\_\_

