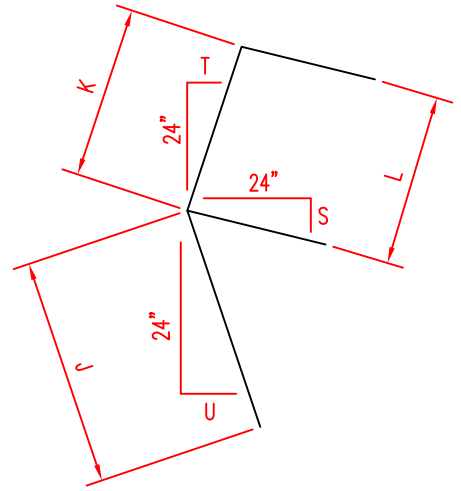
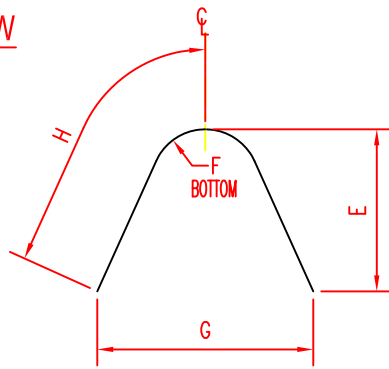
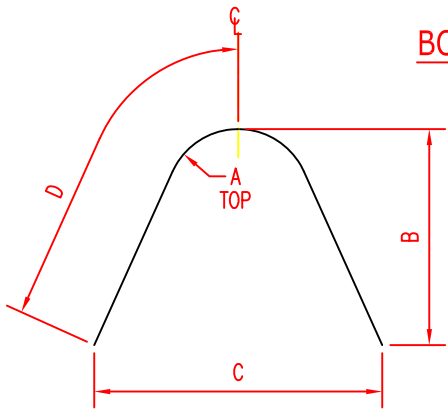
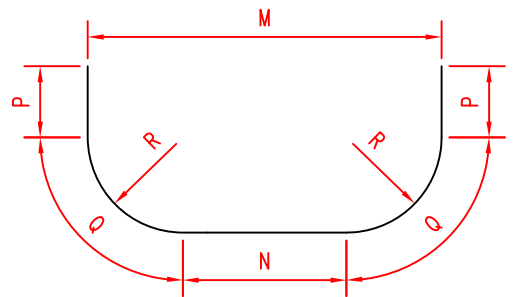
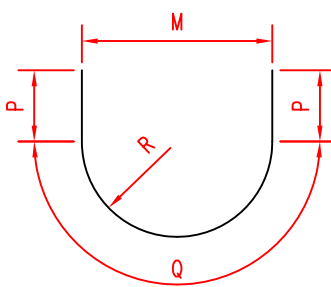


MODEL BOW TUG WORK-UP SHEET

BOW



STERN



DIMENSIONS:

- A. _____
- B. _____
- C. _____
- D. _____
- E. _____
- F. _____
- G. _____
- H. _____
- J. _____
- K. _____
- L. _____
- M. _____
- N. _____
- P. _____ S. _____
- Q. _____ T. _____
- R. _____ U. _____

NOTE: IDENTIFY ANY UNUSUAL FEATURES (SUCH AS GUARDRAILS, NOSE CAP, ETC.) ALONG WITH THEIR DIMENSIONS.

NOTE: IDENTIFY SINGLE LAYER OR DOUBLE LAYER.

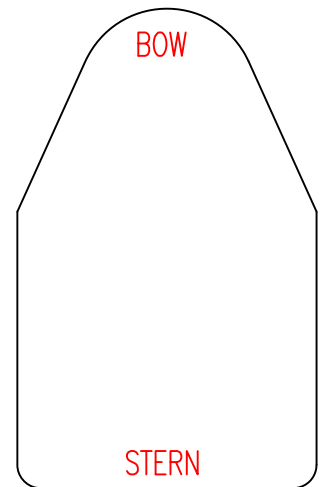
FENDER HEIGHT: _____

FENDER DEPTH: _____

TOP ATTACHMENT: _____

BOTTOM ATTACHMENT: _____

END ATTACHMENT: _____



THIS DRAWING AND THE DESIGN IT REPRESENTS IS THE PROPERTY OF SCHUYLER MARITIME. ANY USE OTHER THAN THAT WHICH IS EXPRESSLY AUTHORIZED BY SCHUYLER MARITIME IS PROHIBITED. © COPYRIGHT 2007

CUSTOMER:	PHONE NUMBER:	
PROJECT NAME:	FAX NUMBER:	
CONTACT:	DELIVERY TIME:	