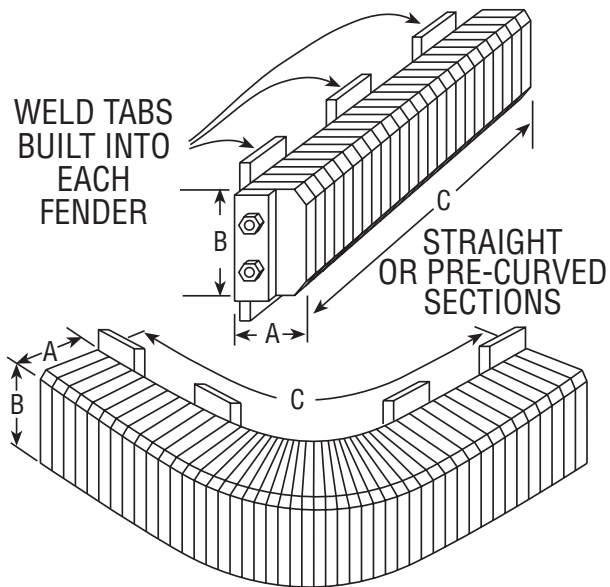


D-GUARD & RECTANGULAR CORNER FENDERS

MODEL 114



SIMPLY POSITION AND WELD –
NO FAB REQUIRED

D-Guard Standard Sizes

1 1/4" RODS* PART NO.	A	B	C	WT LBS PER LINEAL FT
SR 114 DC 0606	6"	6"	12" to 240"	25
SR 114 DC 0609	6"	9"		36
SR 114 DC 0707	7"	7"		33
SR 114 DC 0808	8"	8"		40
SR 114 DC 0810	8"	10"		44
SR 114 DC 0909	9"	9"		45
SR 114 DC 1010	10"	10"		50

Rectangular Standard Sizes

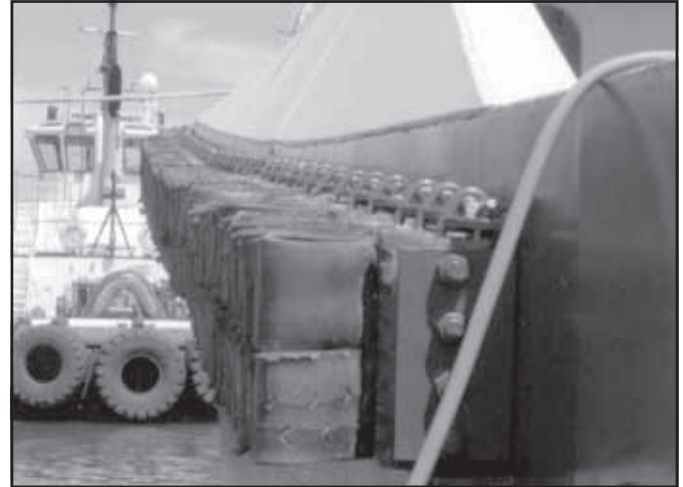
PART NO.	A	B	C	WT LBS PER SQUARE FT
SR 114 RC	6" to 22"	10" to 120"	30" to 480"	*

* Weight varies depending upon thickness.

- See insert for Load Deflection, Energy Absorption, and Architectural Specifications
- Specify radius of corner
- Specify weld tab attachment system detail (see page 17)

SIDE FENDERS

MODEL SR3D



SCHUYLER MARITIME COMPANY, LLC.

204 Ida Road
Broussard, Louisiana 70518
866-347-9445 TOLL FREE

Phone: 337/248-1426
Fax: 337/837-3610
Website: www.schuylermaritime.com
email: sales@schuylermaritime.com

PROTECTION
SINCE 1950

